

# Dual HF

COM1 - Concealed wiring  
 EAN 4007841 002978  
 Article number 002978



high frequency sensor 360°



max. 20 x 3 m

2000 W

max. 2000 W



IP20



ideal 2.5 - 3.5 m



indoor sensor

iQ

iQ-mode

Teach

Teach mode



energy saving

5 years

manufacturer's warranty steinel-professional.de/garantie

## Function description

Twice as vigilant! High-frequency corridor sensor Presence Control PRO Dual HF COM1 for indoors, ideal for passageways and long corridors, installation height up to 3.5 m, for switching light 'ON' and 'OFF', DUAL-HF technology for detecting radial movement over up to 20 m in two directions, detection regardless of temperature, HF-sensor technology detects movement through glass, wood and stud walls, switches light 'ON' almost instantly.

## Technical specifications

Dimensions (L x W x H)	74 x 120 x 120 mm	Technology, sensors	High frequency, Light sensor
Manufacturer's Warranty	5 years	Mounting height	2,50 – 3,50 m
Settings via	Remote control, DIP switches, Potentiometers, Smart Remote	Mounting height max.	3,50 m
With remote control	No	Optimum mounting height	2,8 m
Version	COM1 - Concealed wiring	HF-system	5,8 GHz
PU1, EAN	4007841002978	Detection	also through glass, wood and stud walls
Type	Presence detector	Detection angle	Aisle, 360 °
Application, place	Indoors	Angle of aperture	140 °
Application, room	corridor / aisle, Indoors	Sneak-by guard	Yes
Colour	white	Capability of masking out individual segments	No
Colour, RAL	9010	Electronic scalability	Yes
Includes corner wall mount	No	Mechanical scalability	No
Installation site	ceiling	Reach, radial	20 x 3 m (60 m <sup>2</sup> )
Installation	Concealed wiring, Ceiling	Reach, tangential	20 x 3 m (60 m <sup>2</sup> )
IP-rating	IP20	Transmitter power	< 1 mW
Ambient temperature	from -25 up to 55 °C		

# Dual HF

COM1 - Concealed wiring  
 EAN 4007841 002978  
 Article number 002978



## Technical specifications

Material	Plastic	Functions	Normal / test mode, Semi-/fully automatic, Pushbutton / switch mode, Manual ON / ON-OFF
Mains power supply	230 V / 50 – 60 Hz	Twilight setting	10 – 1000 lx
Fluorescent lamps, electronic ballast	1500 W	Time setting	30 s – 30 Min.
Fluorescent lamps, uncorrected	1000 VA	Basic light level function	No
Fluorescent lamps, series-corrected	1000 VA	Main light adjustable	No
Fluorescent lamps, parallel-corrected	1000 VA	Twilight setting TEACH	Yes
Switching output 1, low-voltage halogen lamps	2000 VA	Constant-lighting control	No
LED lamps < 2 W	100 W	Interconnection	Yes
LED lamps > 2 W < 8 W	300 W	Type of interconnection	Master/master, Master/slave
LED lamps > 8 W	600 W	Interconnection via	Cable
Capacitive load in $\mu$ F	176 $\mu$ F	Interconnection, number	max. 10 sensors
		Product category	Presence detector

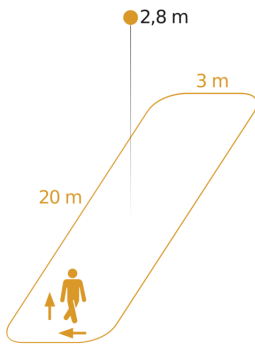
## Accessories

EAN 4007841 000363	Surface-mounted adapter Control Pro IP54
EAN 4007841 003036	Control PRO guard cage
EAN 4007841 009151	Remote control Smart Remote
EAN 4007841 006600	HF-ceiling adapter
EAN 4007841 559410	Service remote control RC8

# Dual HF

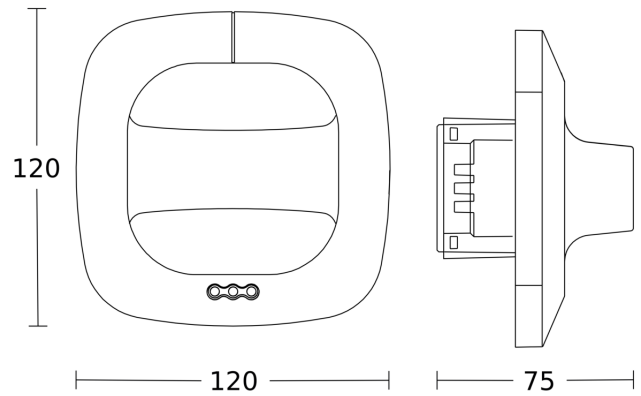
COM1 - Concealed wiring  
EAN 4007841 002978  
Article number 002978

## Detection Zone

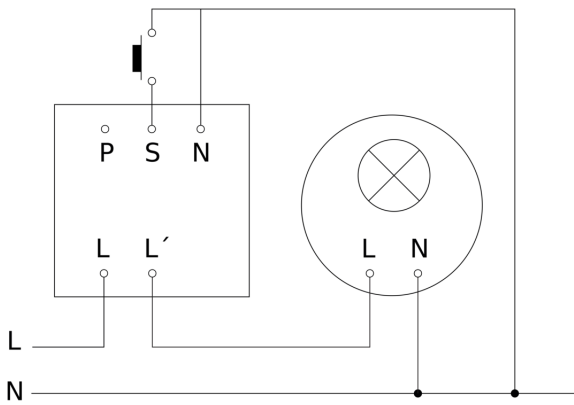


Possible mounting height: 2,50 m - 3,50 m  
Orange: radial and tangential

## Dimension Drawing



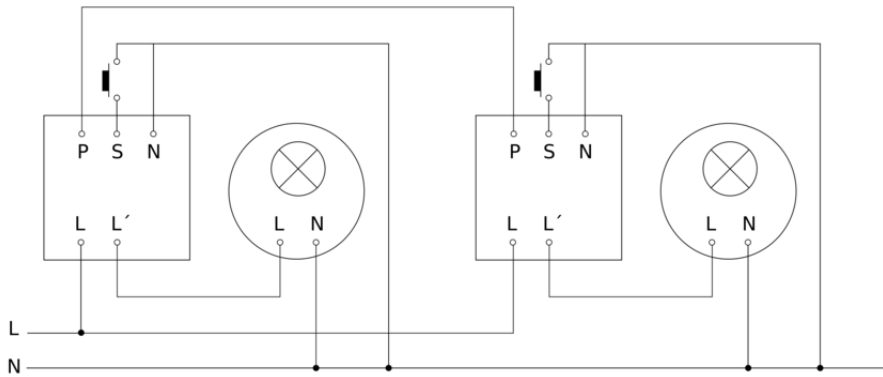
## Master circuit diagram



# Dual HF

COM1 - Concealed wiring  
EAN 4007841 002978  
Article number 002978

## Master/master interconnection circuit diagram



## Master/slave interconnection circuit diagram

